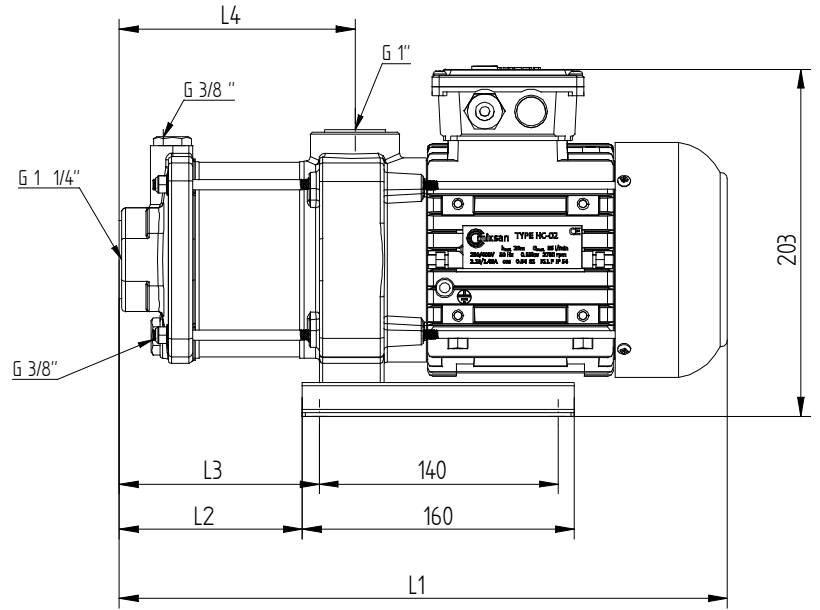
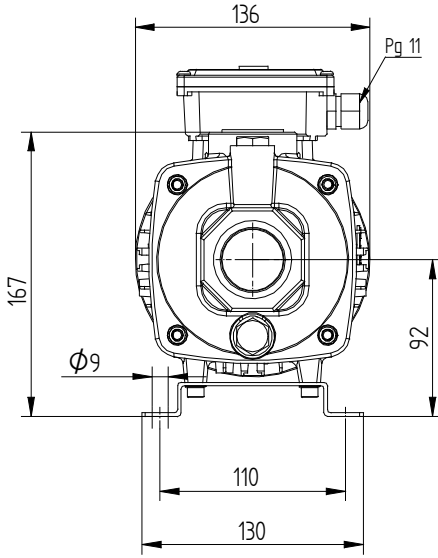


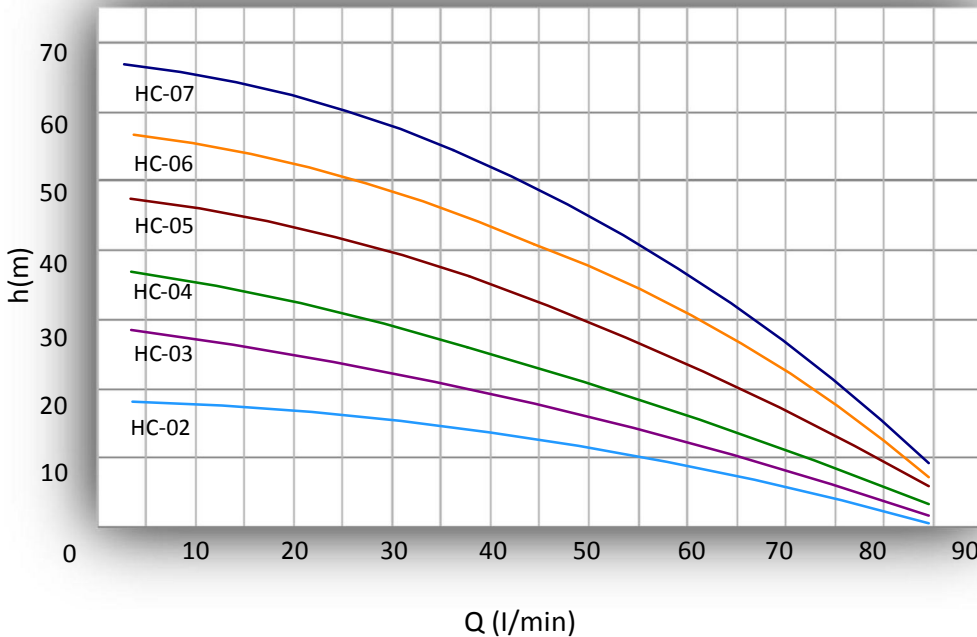
DIMENSIONS AND NOMINAL VALUES

TYPE	L4	L3	L2	L1	Weight	Power	Voltage	Frequency	Rated current	Speed
	mm	mm	mm	mm	kg	kW	V	Hz	A	rpm
HC-02	137	116	106	356	11.7	0.37	230/400	50	1.90/1.10	2800
HC-03	158	137	127	377	12.9	0.55	230/400	50	2.32/1.34	2780
HC-04	179	158	148	398	13.1	0.55	230/400	50	2.32/1.34	2780
HC-05	200	179	169	419	14.2	0.75	230/400	50	3.64/2.10	2800
HC-06	221	200	190	440	14.7	0.75	230/400	50	3.64/2.10	2800
HC-07	242	221	211	461	15.2	0.90	230/400	50	4.59/2.65	2825



-HC Pump has the nominal values above. On demand, it can be supplied with other voltage and frequency values.
 -HC Series serve for circulation of coolant and cutting fluids as cooling and lubrication units on machine tools.

Performance Curve



Material Properties

- Pump body *cast iron*
- Impellers *stainless steel*
- Diffusers *stainless steel*
- Shaft *stainless steel*
- O-rings *viton*
- Mechanical seal *SiC*

- Kinematic viscosity max. *45mm²/s*
- Operating temperature *0...80 °C*
- Noise level *63 dB*