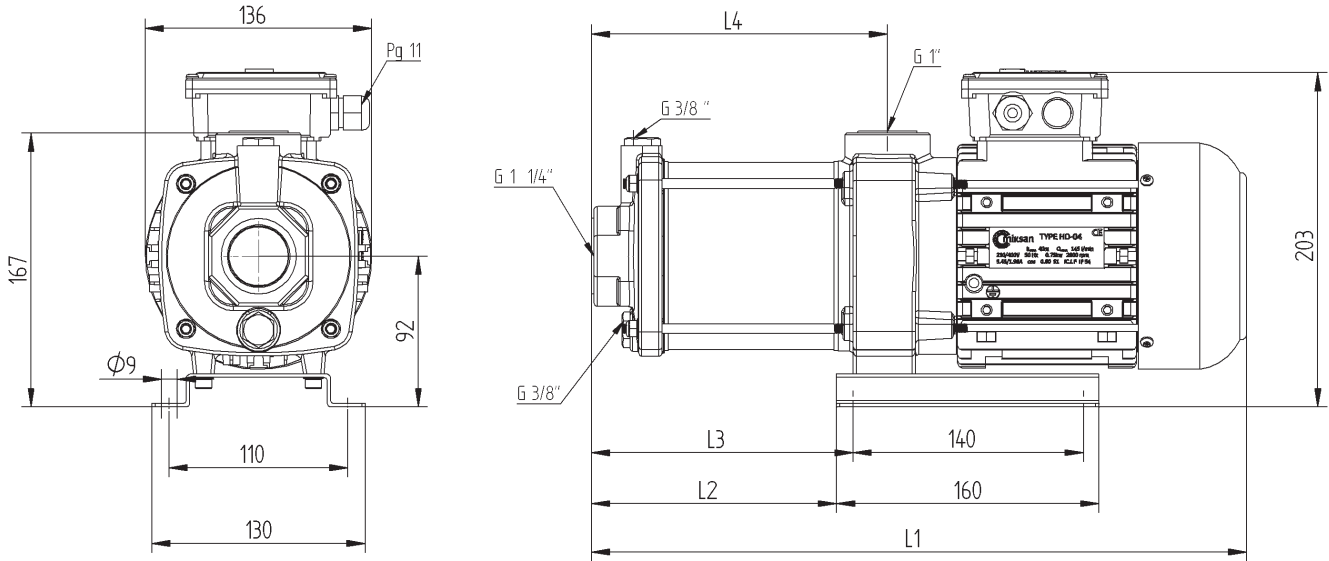


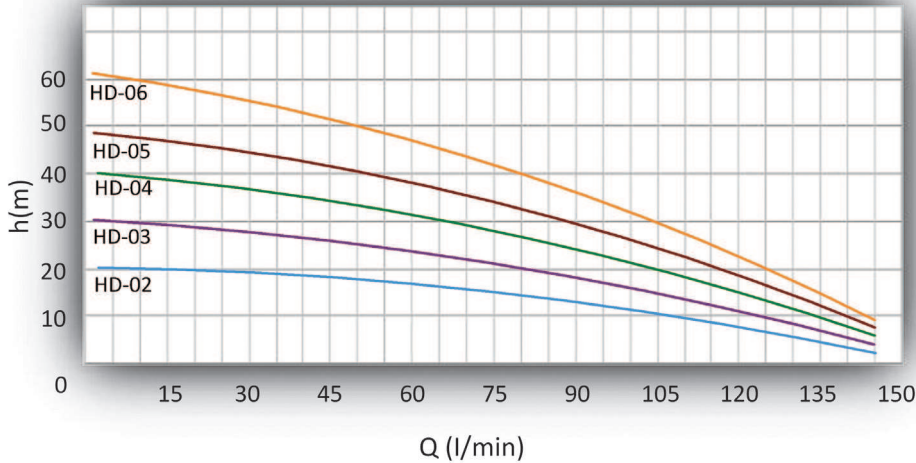
DIMENSIONS AND NOMINAL VALUES

TYPE	L4	L3	L2	L1	Weight	Power	Voltage	Frequency	Rated current	Speed
	mm	mm	mm	mm	kg	kW	V	Hz	A	rpm
HD-02	137	116	106	356	11.7	0.55	230/400	50	2.32/1.34	2780
HD-03	158	137	127	377	12.9	0.75	230/400	50	3.64/2.10	2800
HD-04	179	158	148	398	13.1	0.75	230/400	50	3.64/2.10	2800
HD-05	200	179	169	419	14.2	0.90	50	4.59/2.65	2825	
HD-06	221	200	190	440	14.7	0.90	50	4.59/2.65	2825	



- HD Pump has the nominal values above. On demand, it can be supplied with other voltage and frequency values.
- HD Series serve for circulation of coolant and cutting fluids as cooling and lubrication units on machine tools.

Performance Curve



Material Properties

- Pump body *cast iron*
- Impellers *stainless steel*
- Diffusers *stainless steel*
- Shaft *stainless steel*
- O-rings *viton*
- Mechanical seal *SiC*

- Kinematic viscosity max. *45mm²/s*
- Operating temperature *0...80°C*
- Noise level *63 dB*