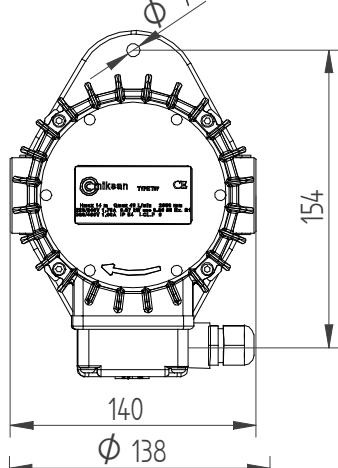
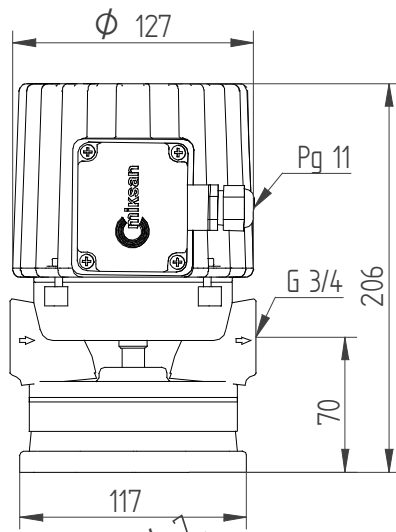
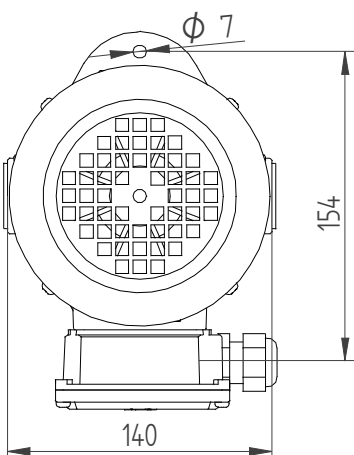
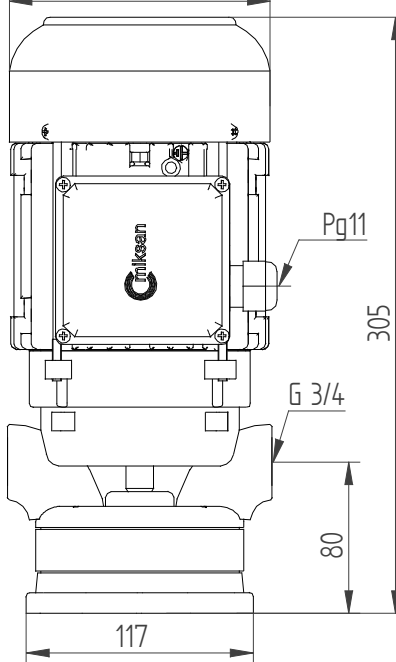
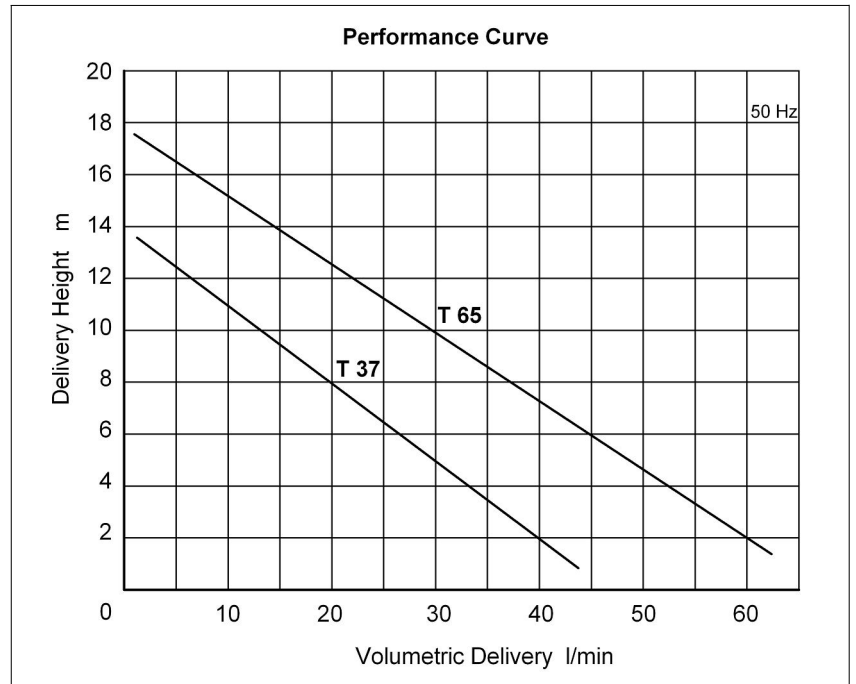


T 37**T 65****DIMENSIONS AND NOMINAL VALUES**

TYPE	Volum. del. l/min	Pipe conn. G	Weight kg	Power kw	Voltage V(Δ/Y)	Fre- quency Hz	Rated current A	Revo- lution rpm
T 37	40	G 3/4	7.2	0.37	230/400	50	1.9/1.1	2820
T 65	60		10	0.63			2.2/1.3	

Volumetric delivery * is measured at 2m water height. (± % 10)



Kinematic viscosity: 90mm²/s

Operating Temperature Range : -50...+130 °C

PROPERTIES:

- T Pump series are designed for circulation of cutting and chemical fluids.
- They serve as cooling and lubrication units on machine tools and automatic sews, etc.
- The shaft of the T Pump is made of engineering steel.
- The main body and pump intake cover of standart T Pumps are cast iron.
- The impeller of the T Pumps is made of brass
- Standard T Pump has three-phase motor. On demand, they can be equipped with single-phase motor and other voltage, frequency.

THE DIMENSIONS OF THE PUMPS

CONFORMS TO EN 12157 SPECIFICATIONS.

Address: Oto sanayi Sitesi Celik sok. No:68

4. Levent/ISTANBUL-TURKEY

Tel: 90 212 284 64 00

web: www.miksanmotor.com

Fax: 90 212 279 55 67

e-mail: info@miksanmotor.com