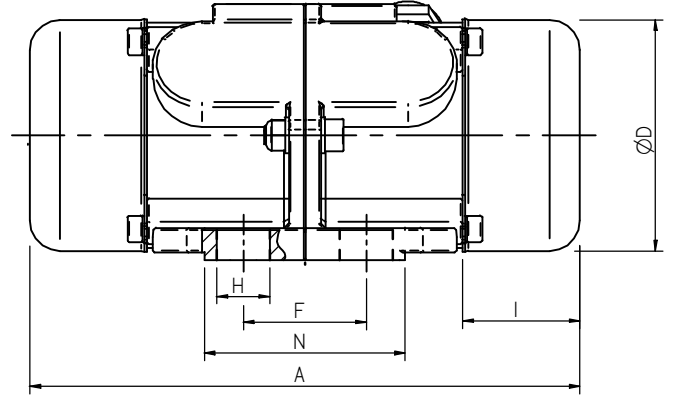
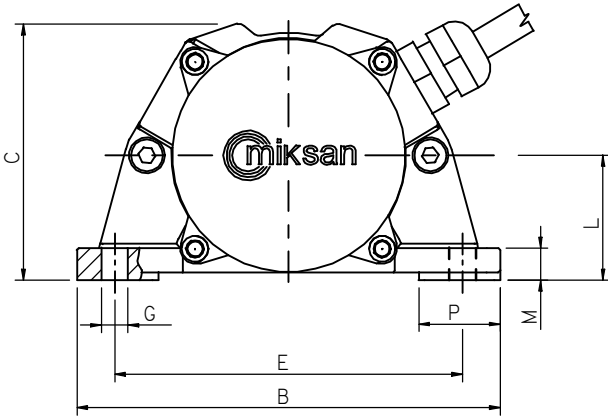


| MECHANICAL DATA |      |                   |     |               |        | ELECTRICAL DATA |             |                 |
|-----------------|------|-------------------|-----|---------------|--------|-----------------|-------------|-----------------|
| RPM<br>(50 Hz)  | TYPE | Centrifugal Force |     | Static Moment | Weight | Nominal Voltage | Max Current | Max Input Power |
|                 |      | KG                | N   | kgmm          | KG     | V               | A           | W               |
| <b>3000</b>     | VX   | 21                | 206 | 2,1           | 1,60   | 230             | 0,12        | 0,25            |



| DIMENSIONS (mm) |     |     |    |    |    |    |     |    |    |    |     |    |    |             |
|-----------------|-----|-----|----|----|----|----|-----|----|----|----|-----|----|----|-------------|
| TYPE            | A   | B   | C  | ØD | E  | F  | Gx4 | H  | I  | L  | M   | N  | P  | Cable Entry |
| VX              | 146 | 112 | 68 | 61 | 92 | 32 | 7   | 14 | 31 | 33 | 8,5 | 53 | 21 | M16 x1.5    |