

MIKSAN 132M 2C EX SERIES EX-PROOF



3-Phase 400V 50Hz

Duty Type : S1
 Degree of protection : IP55
 Insulation Class : F (155°C)
 Mounting : B5

ELECTRICAL DESIGN

Rated power(W) : 11000
 Speed(rpm) : 2910
 Rated current(A) : 19,70
 Torque –Mn(Nm) : 36,10
 Cos φ : 0,91
 Efficiency (%) : 89,4

LOCKED ROTOR TORQUE

Locked rotor Current– Ia(A) : 147,75
 I_a / I_n : 7,5
 Locked rotor Torque- Ma(Nm) : 108,30
 M_a / M_n : 3,0

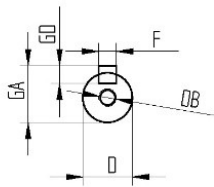
MECHANICAL DESIGN

Frame : Aluminum
 End Shields : Aluminum
 Terminal Box : Aluminum
 Cable gland : M25x1,5 EX

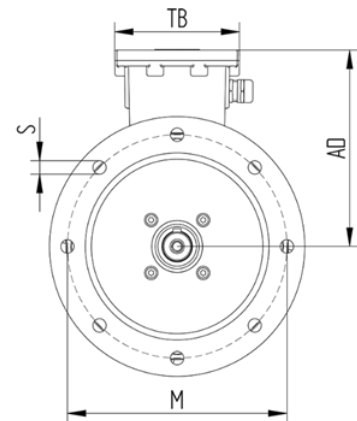
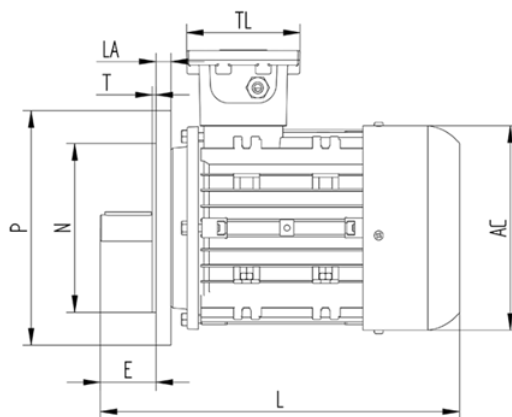
BEARING ARRANGEMENT

Drive End : 6308 ZZ C3
 Non Drive End : 6308 ZZ C3

Paint : None
 Weight : 53,2 kg



B3-B6-B7-B8-V5-V6



L	P	N	M	T	øAC	LA	S	AD	TB/TL	E	øD	øDB	GA	FxGD
493	300	230	265	4.0	258	20.0	14.5	226	150	80	38	M12	41	10x8

IEP 16 ATEX 0433X

II 2G Ex db IIC T4 Gb

II 2D Ex tb IIIC T120°C Db,IP65