

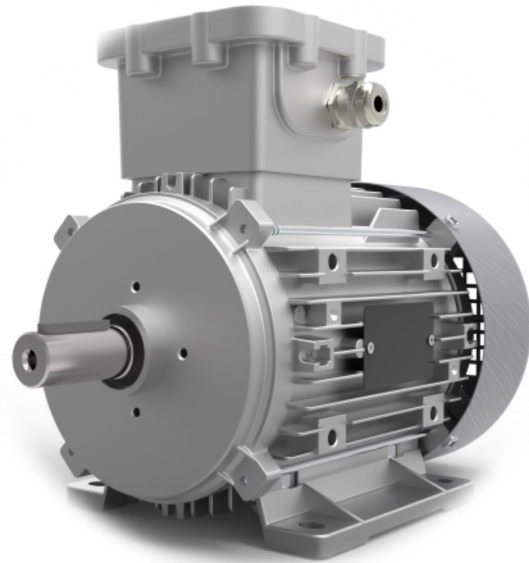
MIKSAN 132S 2B IE3 EX SERIES EX-PROOF



3-Phase 400V 50Hz Duty Type : S1
 Degree of protection : IP55
 Insulation Class : F (155°C)
 Mounting : B3

ELECTRICAL DESIGN

Rated power(W) : 7500
 Speed(rpm) : 2925
 Rated current(A) : 13,50
 Torque –Mn(Nm) : 24,50
 Cos φ : 0,90
 Efficiency (%) : 90,1



LOCKED ROTOR TORQUE

Locked rotor Current– Ia(A) : 86,40
 Ia / In : 6,4
 Locked rotor Torque- Ma(Nm) : 56,35
 Ma / Mn : 2,3

MECHANICAL DESIGN

Frame : Aluminum
 End Shields : Aluminum
 Terminal Box : Aluminum
 Cable gland : M25x1,5 EX

BEARING ARRANGEMENT

Drive End

6308 ZZ C3

Non Drive End

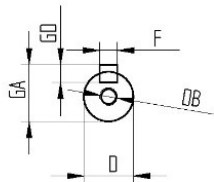
6308 ZZ C3

Paint

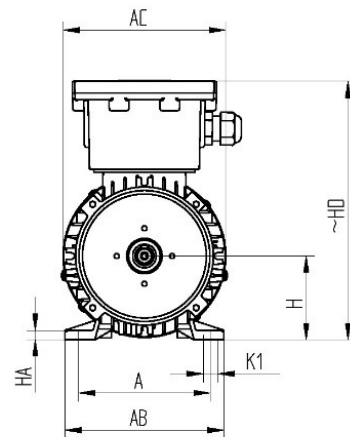
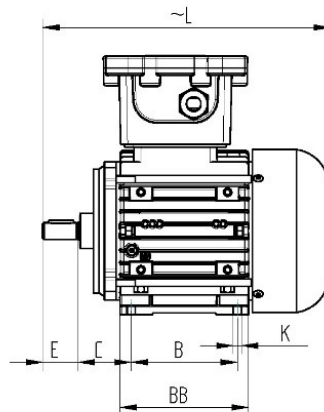
: None

Weight

: 52,8 kg



B3-B6-B7-B8-V5-V6



L	H	HD~	A	AB	øAC	B	BB	K	K1	C	E	øD	øDB	GA	FxGD
462	132	358	216	260	258	140	180	12,5	28	89	80	38	M12	41	10x8

IEP 16 ATEX 0433X

II 2G Ex db IIB T4 Gb

II 2D Ex tb IIIC T120°C Db,IP55