

MIKSAN 90S 2A IE3 EX SERIES EX-PROOF



3-Phase 400V 50Hz

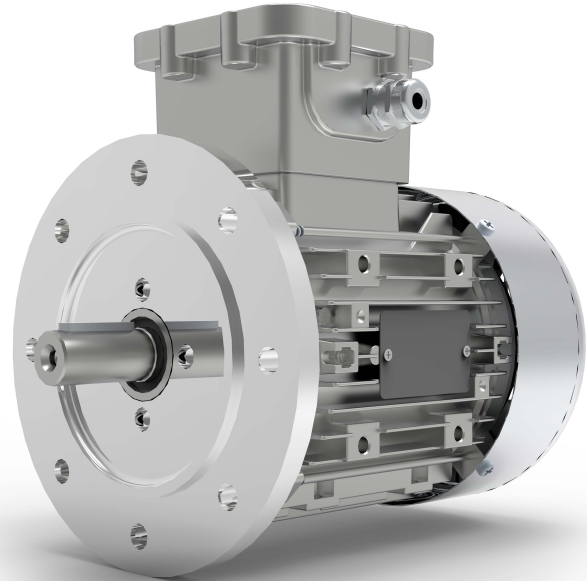
Duty Type : S1
Degree of protection : IP65
Insulation Class : F (155°C)
Mounting : B5

ELECTRICAL DESIGN

Rated power(W) : 1500
Speed(rpm) : 2865
Rated current(A) : 3,25
Torque –Mn(Nm) : 5,00
Cos ϕ : 0,83
Efficiency (%) : 84,2

LOCKED ROTOR TORQUE

Locked rotor Current– Ia(A) : 19,83
Ia / In : 6,1
Locked rotor Torque- Ma(Nm) : 12,00
Ma / Mn : 2,4



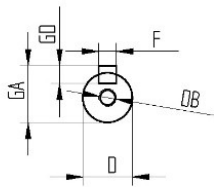
MECHANICAL DESIGN

Frame : Aluminum
End Shields : Aluminum
Terminal Box : Aluminum
Cable gland : M20x1,5 EX

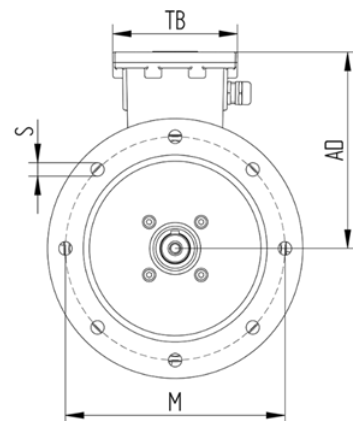
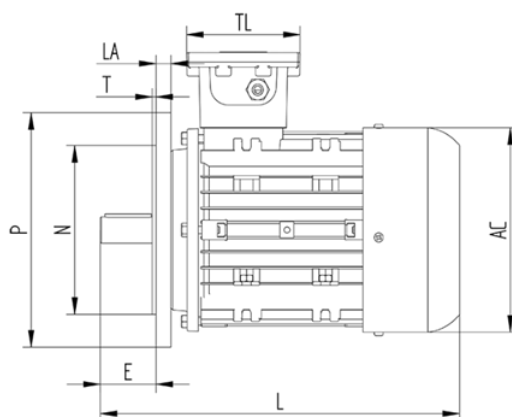
BEARING ARRANGEMENT

Drive End : 6205 ZZ C3
Non Drive End : 6205 ZZ C3

Paint : None
Weight : 15,4 kg



B3-B6-B7-B8-V5-V6



L	P	N	M	T	ϕ AC	LA	S	AD	TB/TL	E	ϕ D	ϕ DB	GA	FxGD
333	200	130	165	3.5	175	13.8	12	164	122	50	24	M8	27	8x8

IEP 16 ATEX 0433X

II 2G Ex db IIC T4 Gb

II 2D Ex tb IIIC T120°C Db,IP65