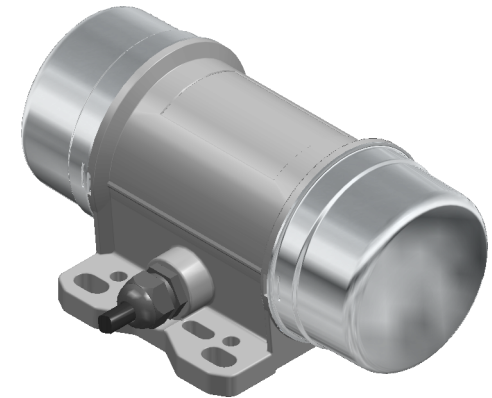
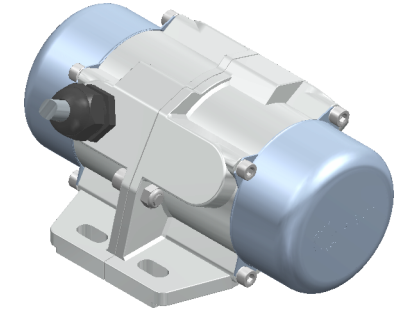


## MICRO SERIES VIBRATION MOTOR

		MECHANICAL DATA				ELECTRICAL DATA				
	RPM	TYPE	Centrifugal Force		Static Moment kgmm	Weight KG	Rated Current A	Rated Voltage V	Capacitor $\mu$ F	Max Input Power W
	50 Hz		KG	N						
three phase	3000	VX 20	21	206	2,1	1,60	0,11	400	-	21
		VY 40	39	383	3,83	2,60	0,18	400	-	40
		VY 60	59	579	5,75	2,70	0,18	400	-	40
	1500	VY 25	25	245	9,58	3,00	0,18	400	-	56
single phase	3000	VX 20 M	21	206	2,1	1,60	0,12	230	1	25
		VY 40 M	39	383	3,83	2,70	0,24	230	4	50
		VY 60 M	59	579	5,75	2,80	0,24	230	4	50
	1500	VY 25 M	25	245	9,58	3,10	0,28	230	4	58

- Standard power supply 230/400V 50 Hz, (please contact us for different power supply values)
- IP65 protection degree.
- F isolation class ( 155°C )
- S1 continuous operation.
- (-15°C....+40°C) ambient temperature.



## DIMENSIONS (mm)

	RPM 50Hz	TYPE	FIG.	A	B	C	D	E	E1	E2	F	F1	F2	G	G1	ØG2	I	L	M	N	P	Cable Entry
three phase	3000	VX 20	M	146	112	68	61	24-40	-	-	92	-	-	7	-	-	32	33	8,5	53	21	M16 x 1.5
		VY 40	N	190	127	85	77	24-40	62-74	60	92	106	85	9	6.5	6.5	47	43.5	10	94	28	M16 x 1.5
		VY 60	N	190	127	85	77	24-40	62-74	60	92	106	85	9	6.5	6.5	47	43.5	10	94	28	M16 x 1.5
three phase	1500	VY 25	N	190	127	85	77	24-40	62-74	60	92	106	85	9	6.5	6.5	47	43.5	10	94	28	M16 x 1.5
single phase	3000	VX 20 M	M	146	112	68	61	24-40	-	-	92	-	-	7	-	-	32	33	8,5	53	21	M16 x 1.5
		VY 40 M	N	190	127	85	77	24-40	62-74	60	92	106	85	9	6.5	6.5	47	43.5	10	94	28	M16 x 1.5
		VY 60 M	N	190	127	85	77	24-40	62-74	60	92	106	85	9	6.5	6.5	47	43.5	10	94	28	M16 x 1.5
	1500	VY 25 M	N	190	127	85	77	24-40	62-74	60	92	106	85	9	6.5	6.5	47	43.5	10	94	28	M16 x 1.5

FIG. M

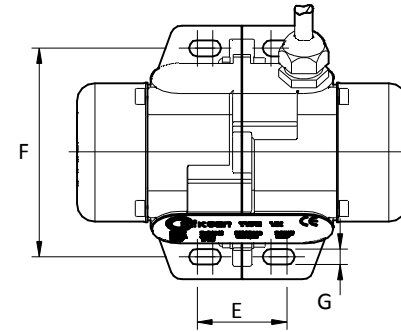
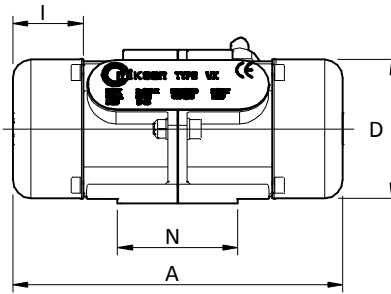
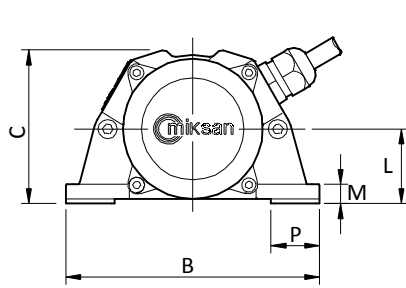
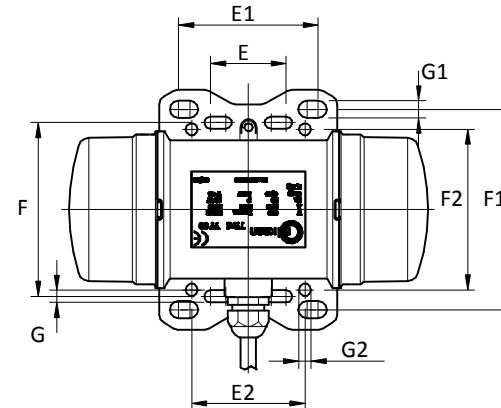
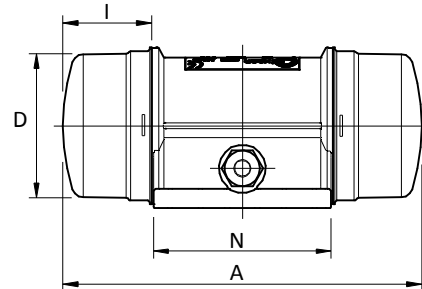
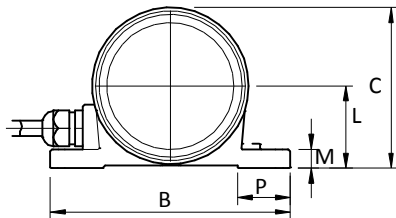


FIG. N



MİKSAN MOTOR SAN. VE TİC. AŞ.

BOSB, Bakır Pirinç Sanayicileri Sitesi, Menekşe Cad. No:1 - 34524 Beylikdüzü/İSTANBUL Tel: (212) 284 64 00 Fax: (212) 279 55 67

Email: info@miksanmotor.com

www.miksanmotor.com